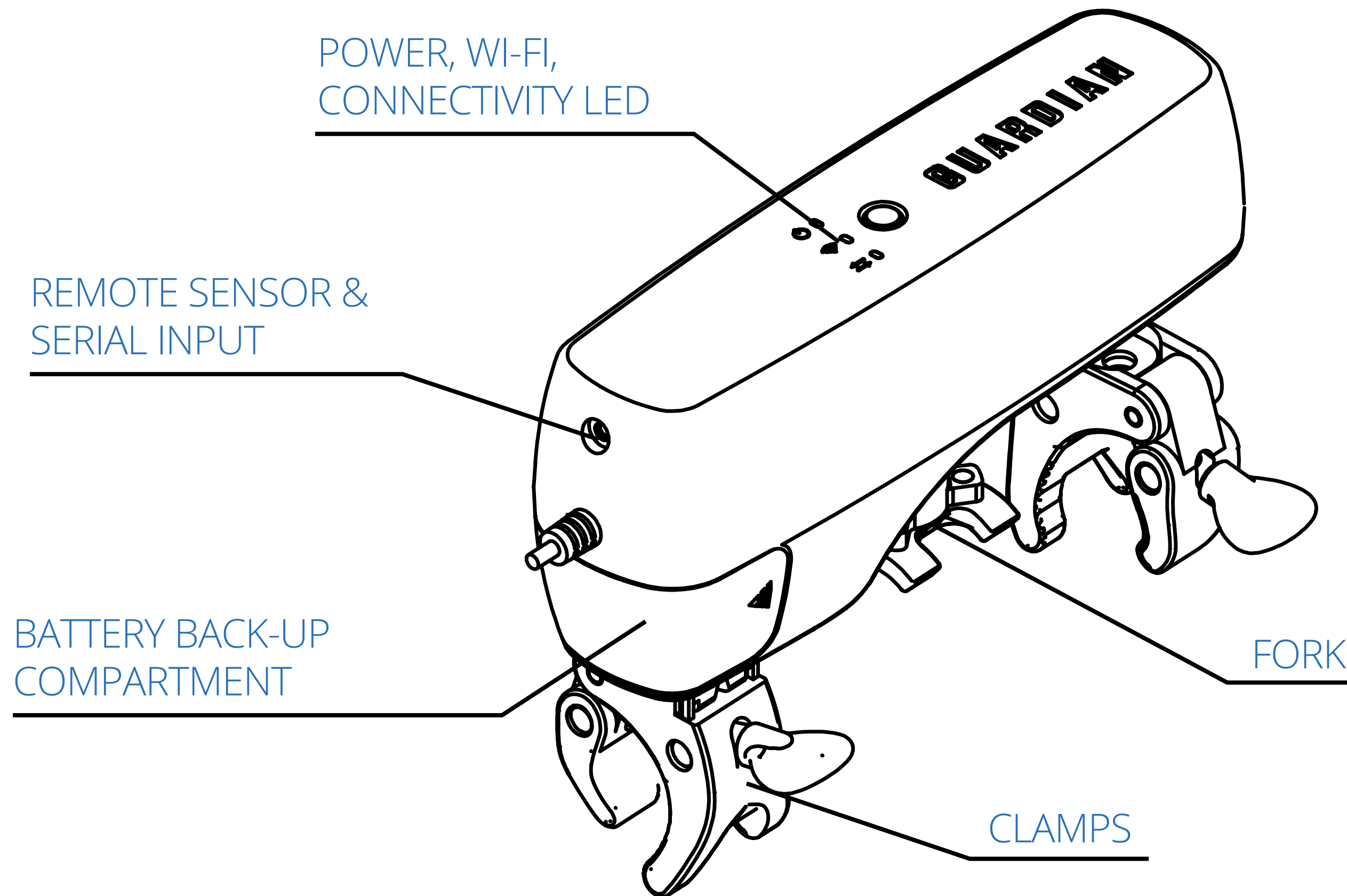


GUARDIAN

BY ELEXA

INSTALLATION & SETUP TRAINING

VALVE CONTROLLER PARTS



POWER, WI-FI, & CONNECTIVITY LEDS

Power LED always on when powered on
Wi-Fi LED is on when connected to Wi-Fi
Connectivity LED blinks when messages received via RF

REMOTE SENSOR INPUT & SERIAL INPUT

Use with Remote Sensor to monitor for leaks near valve
Also used for two-way RS-232c communication!

BATTERY BACK-UP COMPARTMENT

Battery back-up optional and sold separately
Lasts for 12 hours of connectivity and one valve closure
Valve will (optionally) close when battery runs out

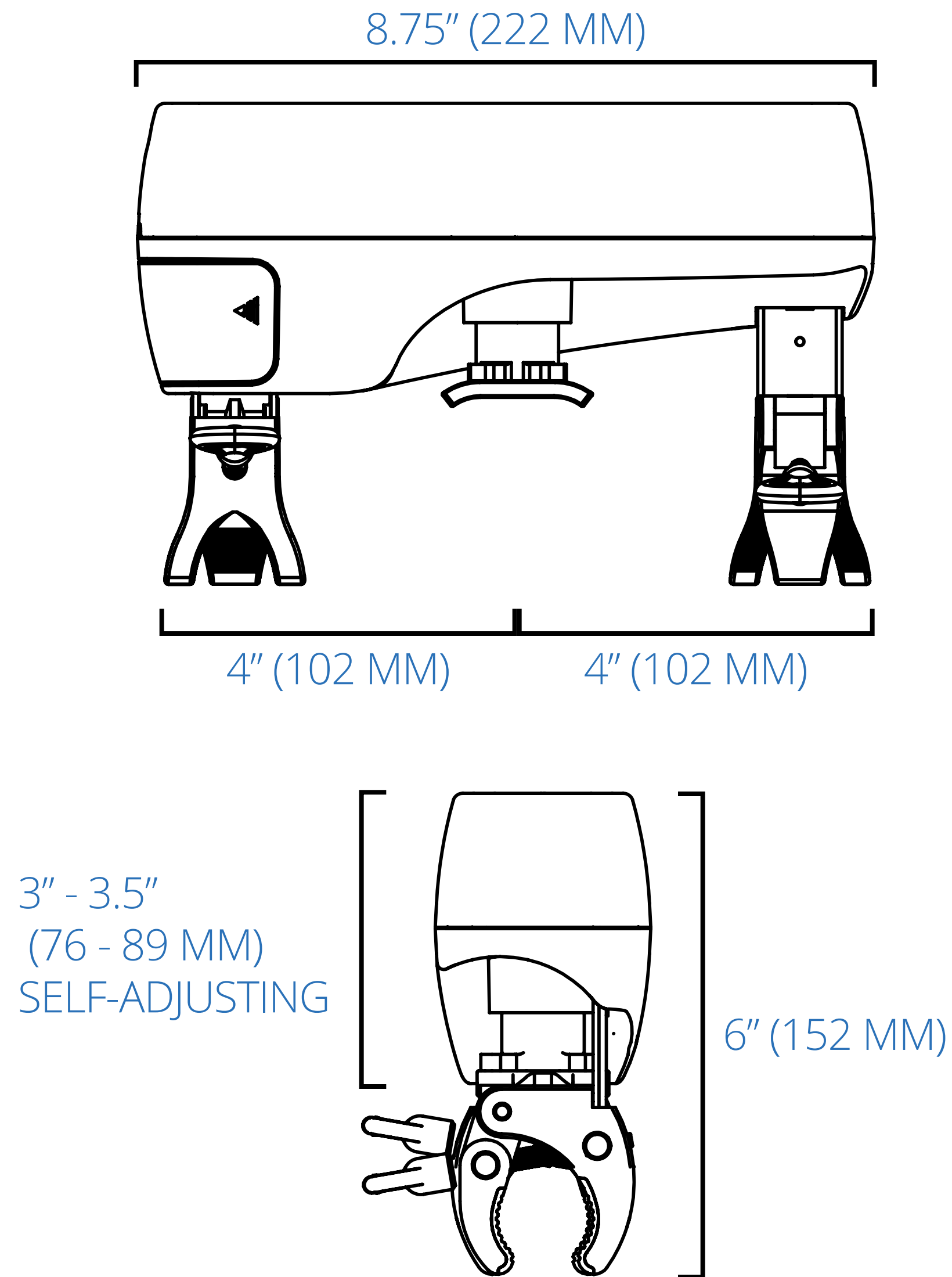
CLAMPS

Fits pipes from 1/2" ~ 1"
Only requires finger tightening

FORK

Physically engages the valve's handle
Two sides, for smaller and larger valve handles
Moves up and down to support different sizes

VALVE CONTROLLER REQUIREMENTS



Quarter-turn metal ball valve from 1/2" to 1" that is operable by hand

4.5" clearance before and after the valve (measured from the center of the valve)

3.5" clearance above the valve (measured from the valve handle's nut)

Power outlet within 10 ft of valve, or extension cord

iOS or Android Smartphone with internet access

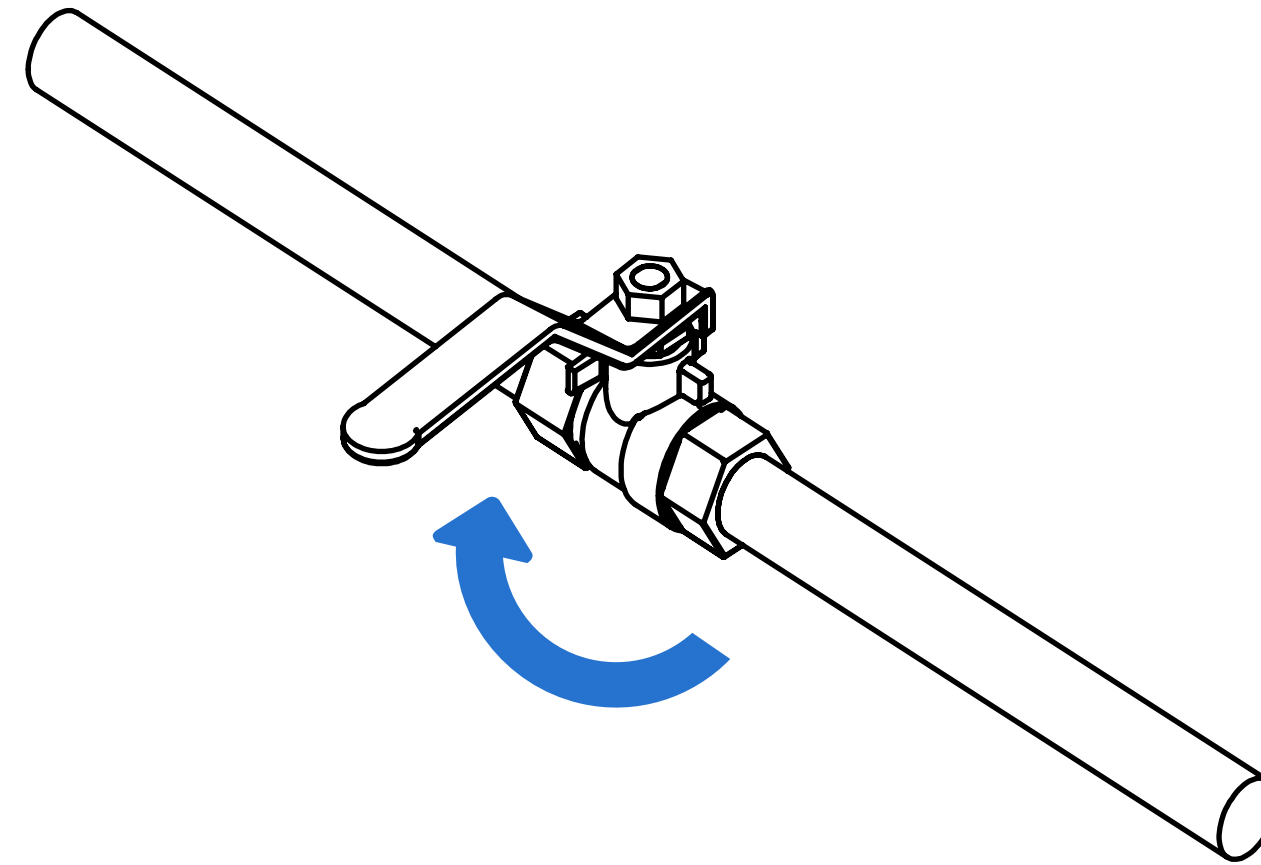
Wi-Fi with internet access (for remote notifications and control only)

Splash and humidity resistant. For indoor use only

VALVE CONTROLLER INSTALLATION

1

CLOSE THE VALVE



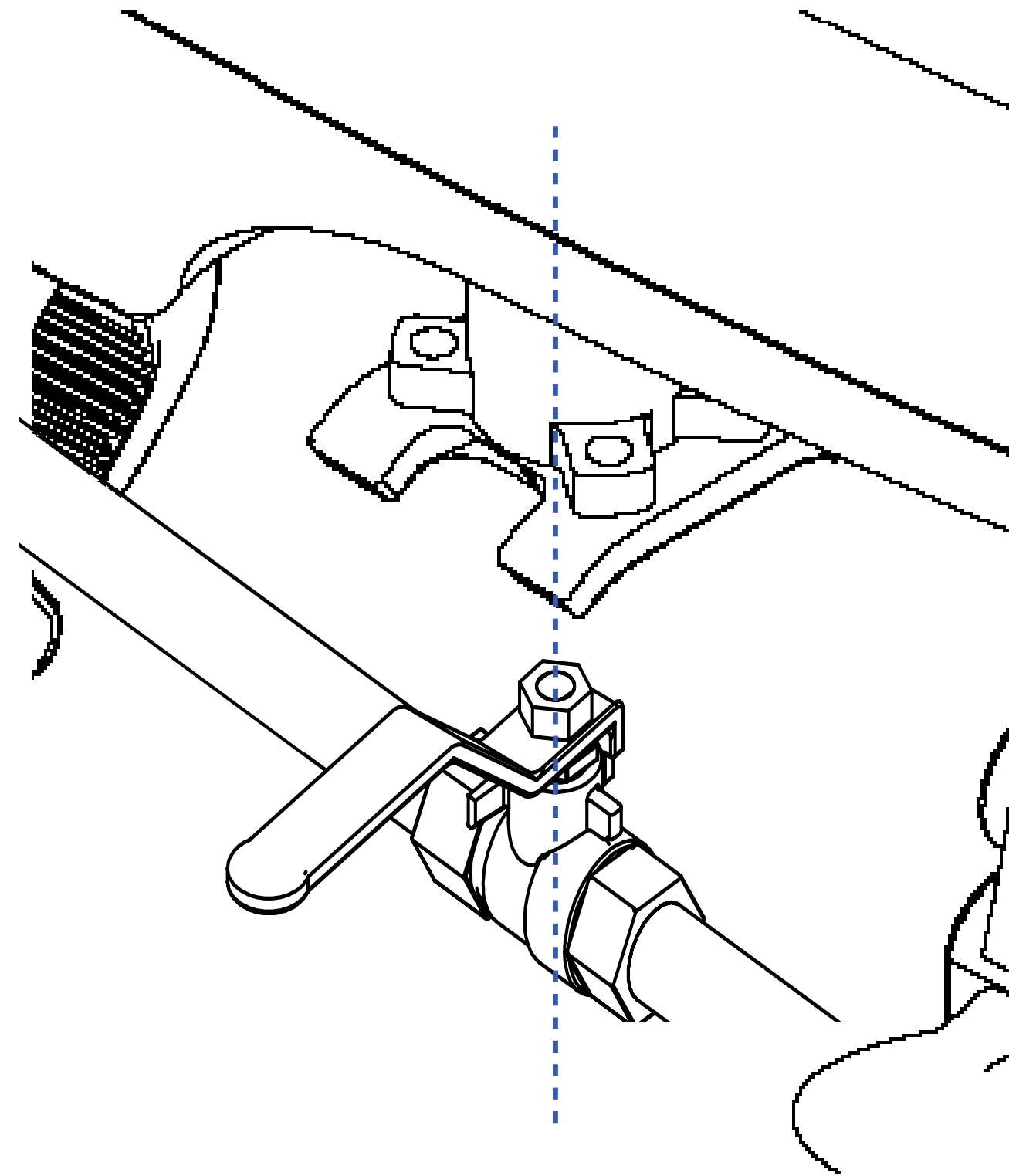
Valve should open/close easily by hand, without the use of any tools

The valve handle should be perpendicular to the pipe, which means the valve is closed

VALVE CONTROLLER INSTALLATION

2

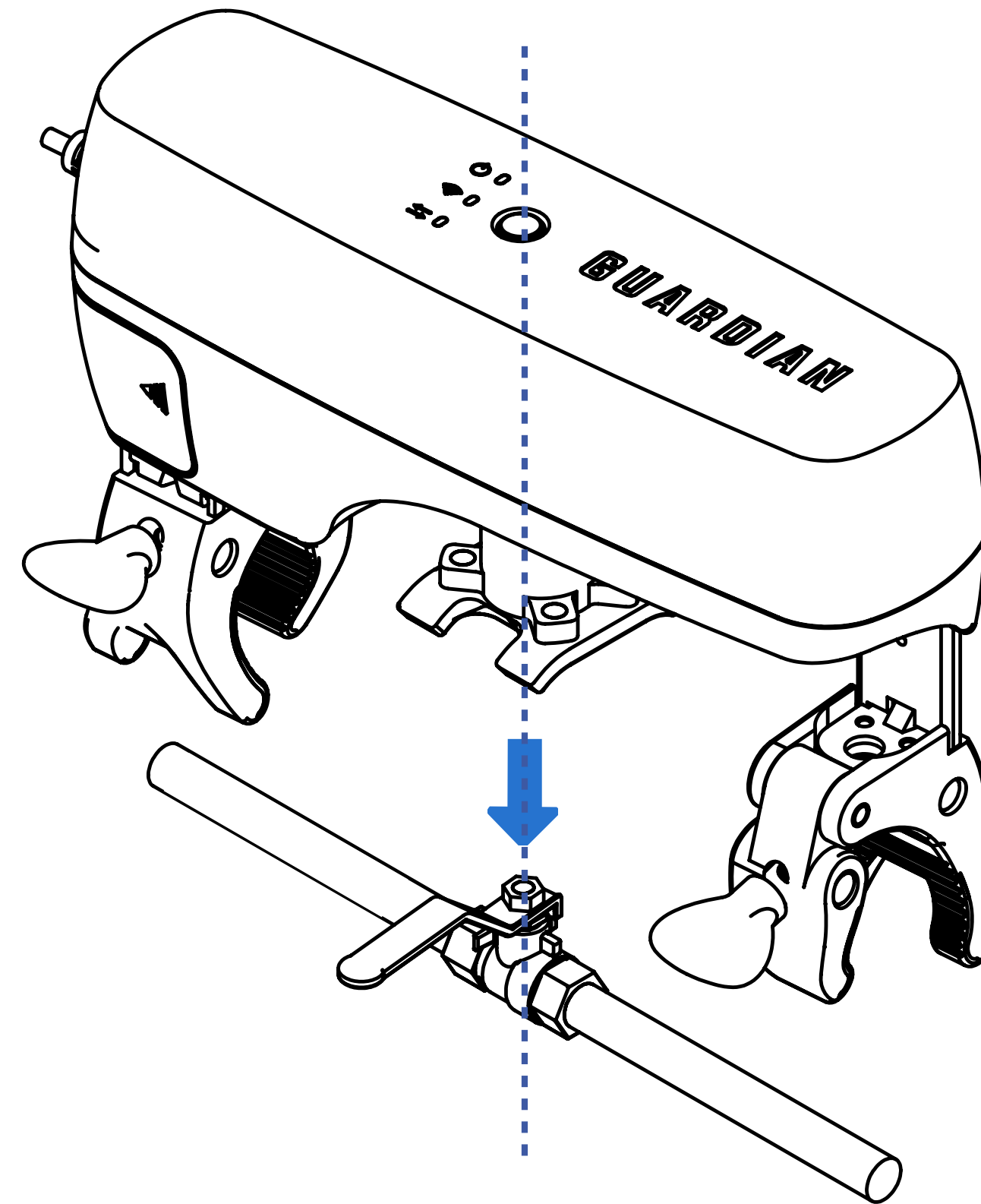
ALIGN THE FORK WITH THE VALVE HANDLE



VALVE CONTROLLER INSTALLATION

3

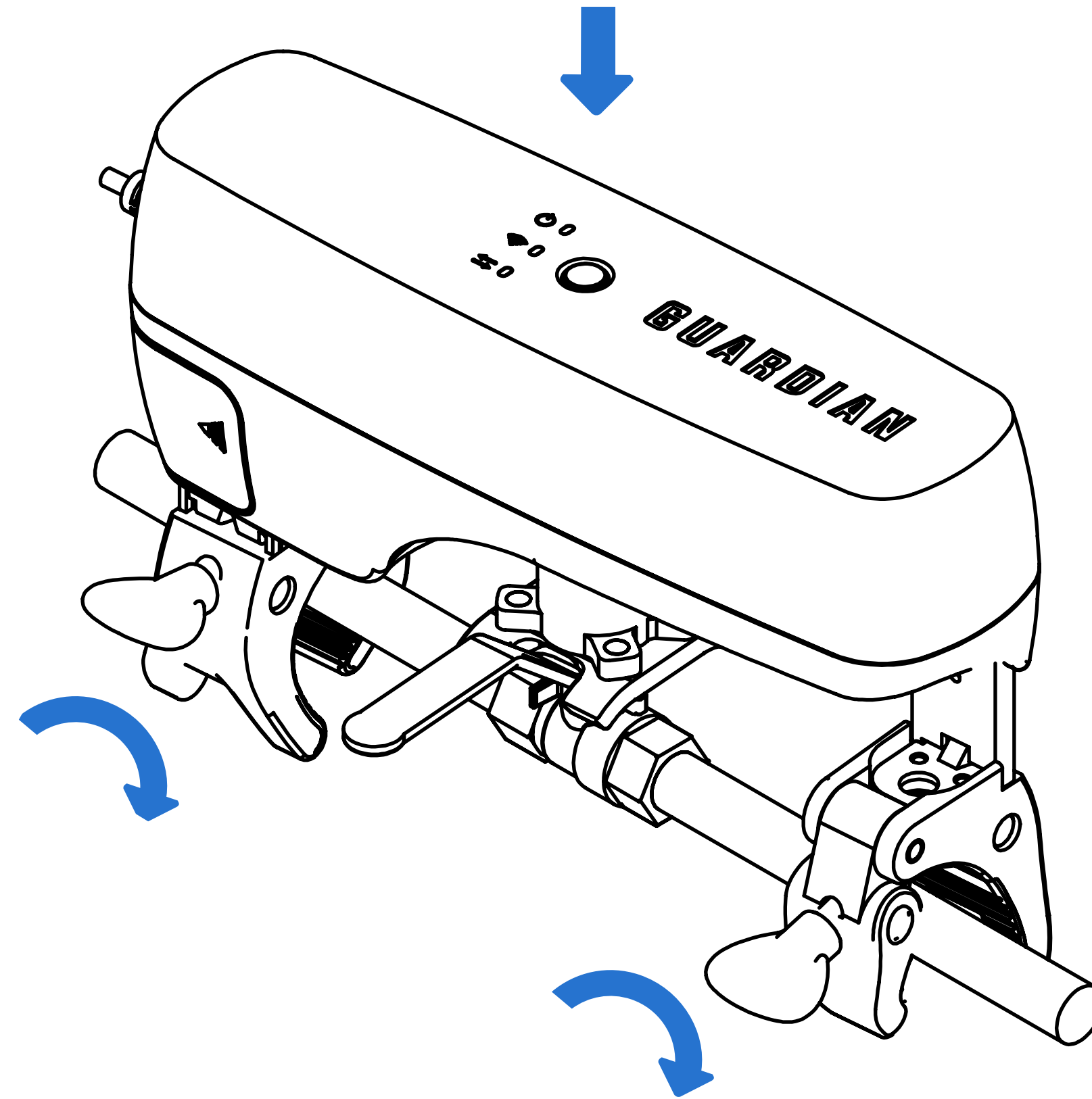
PUSH DOWN THE VALVE CONTROLLER ONTO YOUR VALVE



VALVE CONTROLLER INSTALLATION

4

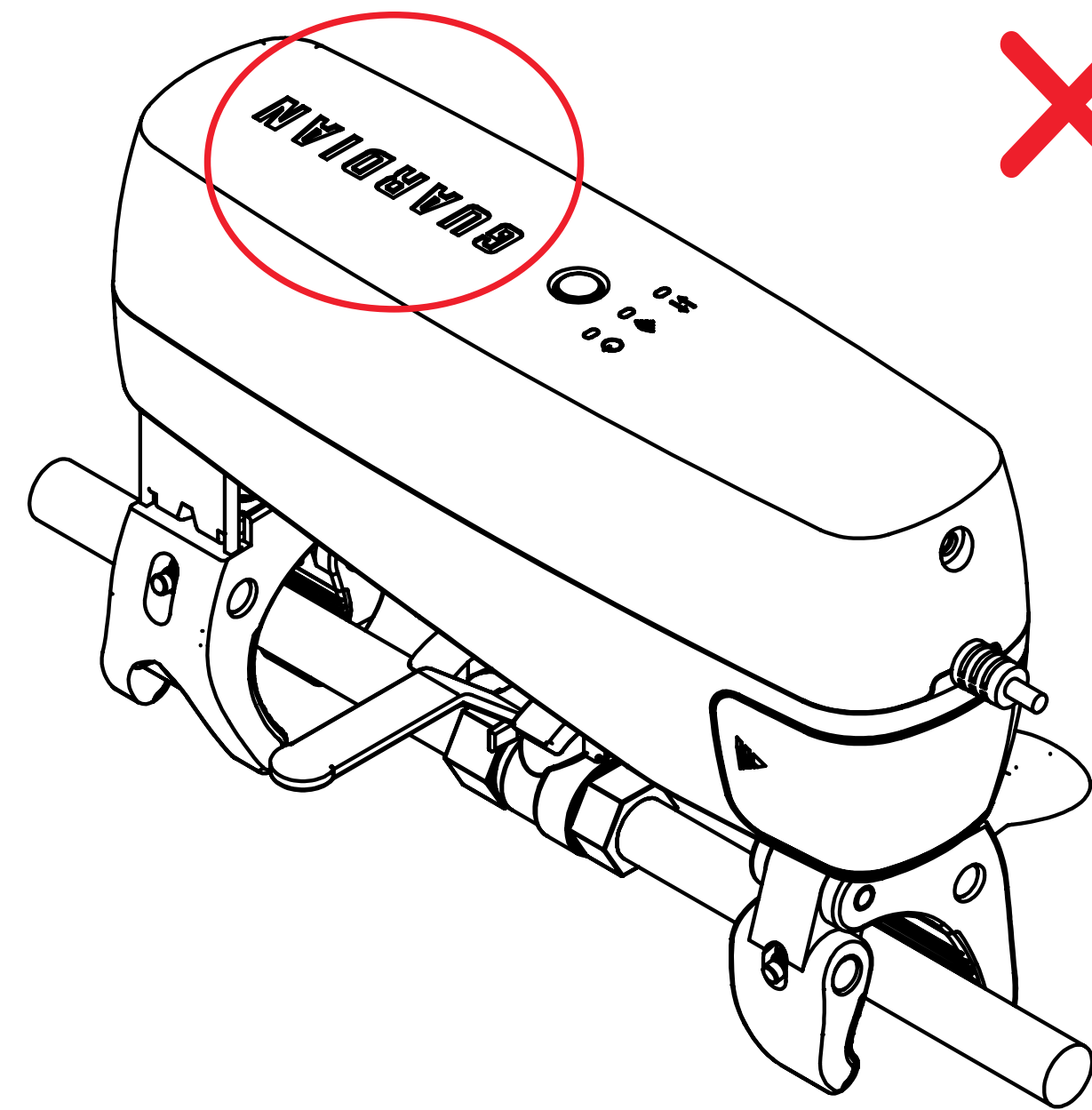
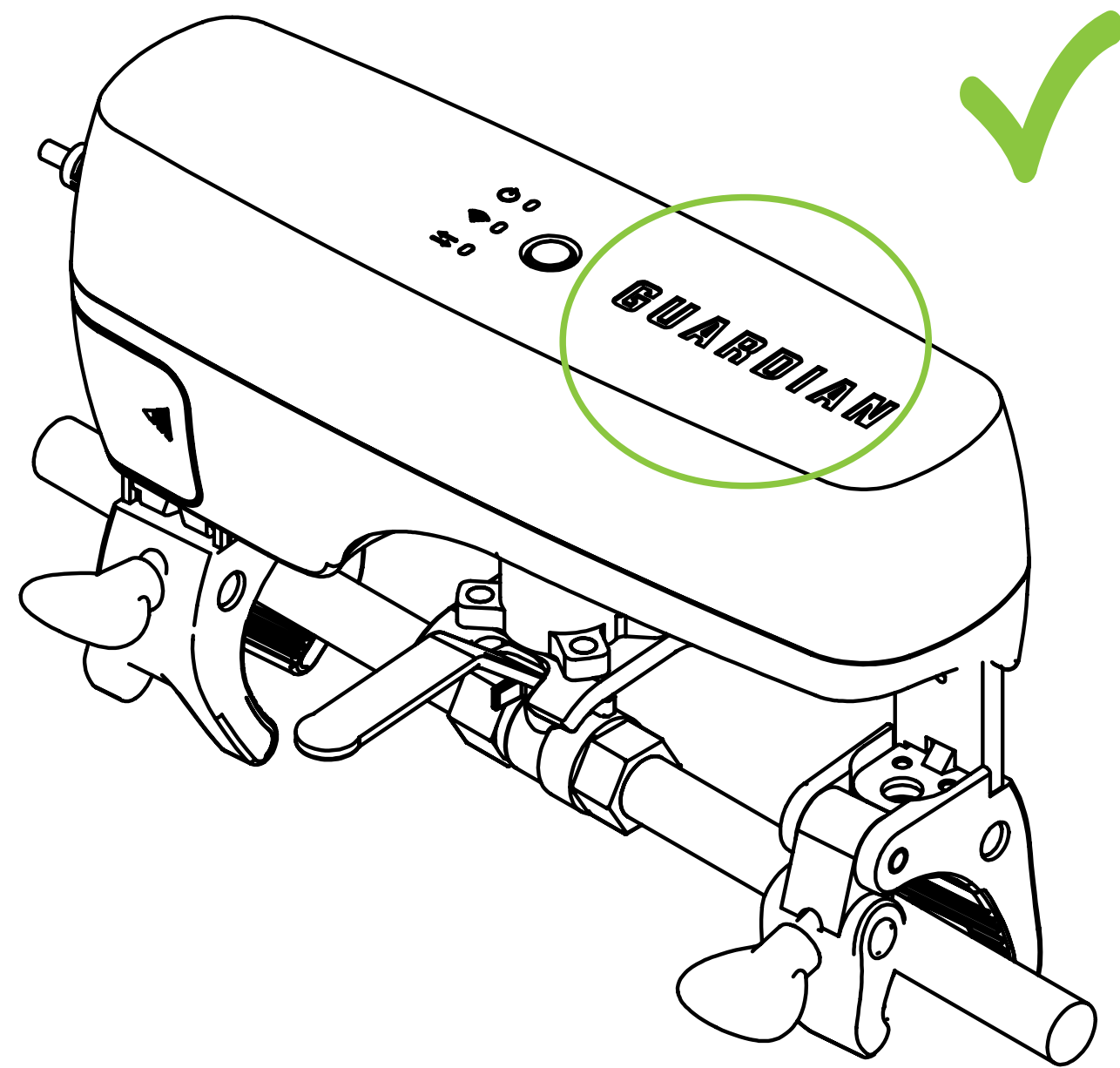
TIGHTEN CLAMPS WHILE HOLDING THE VALVE CONTROLLER DOWN



VALVE CONTROLLER INSTALLATION

5

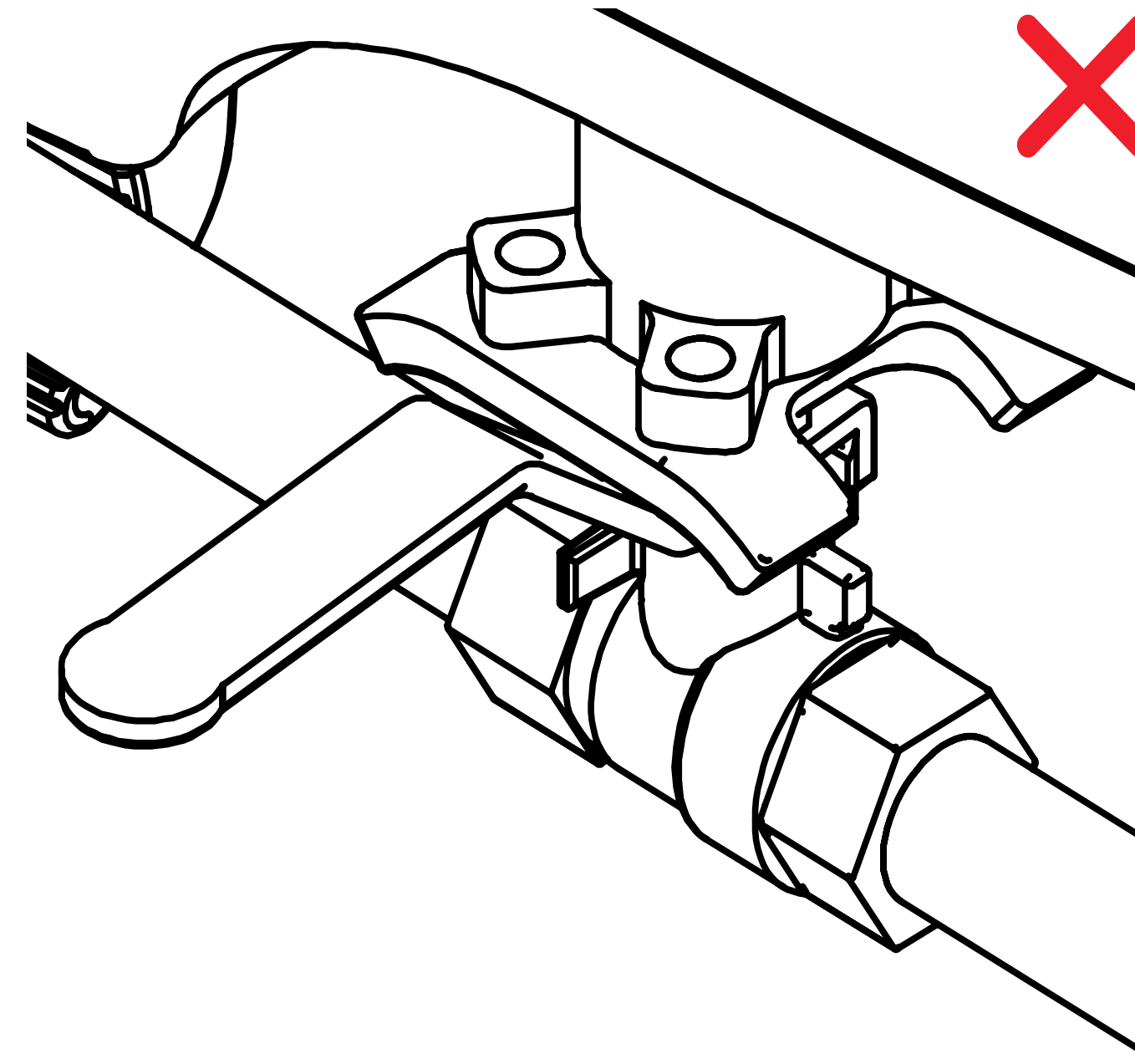
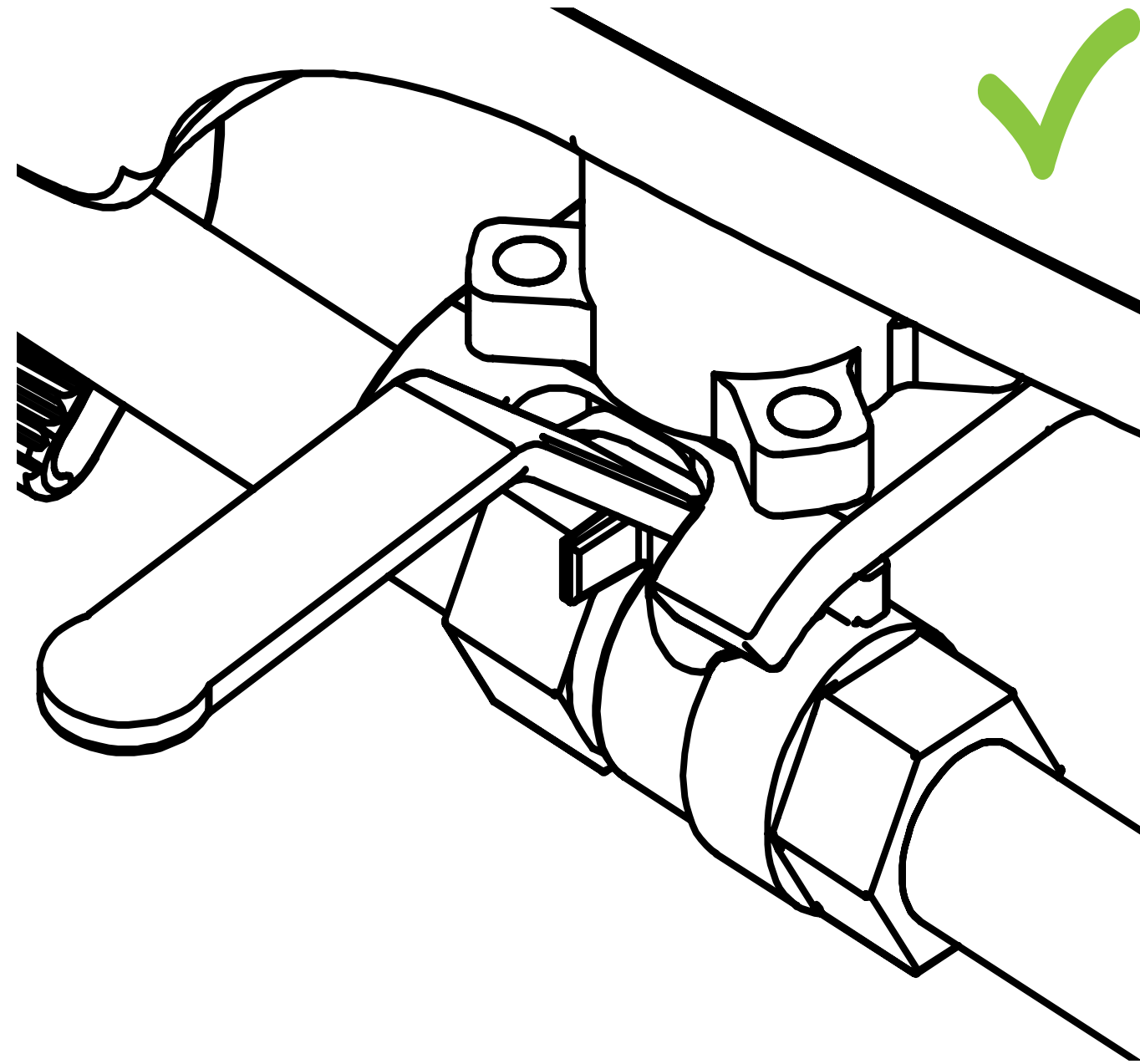
CHECK IF THE VALVE CONTROLLER IS FACING THE RIGHT DIRECTION



VALVE CONTROLLER INSTALLATION

6

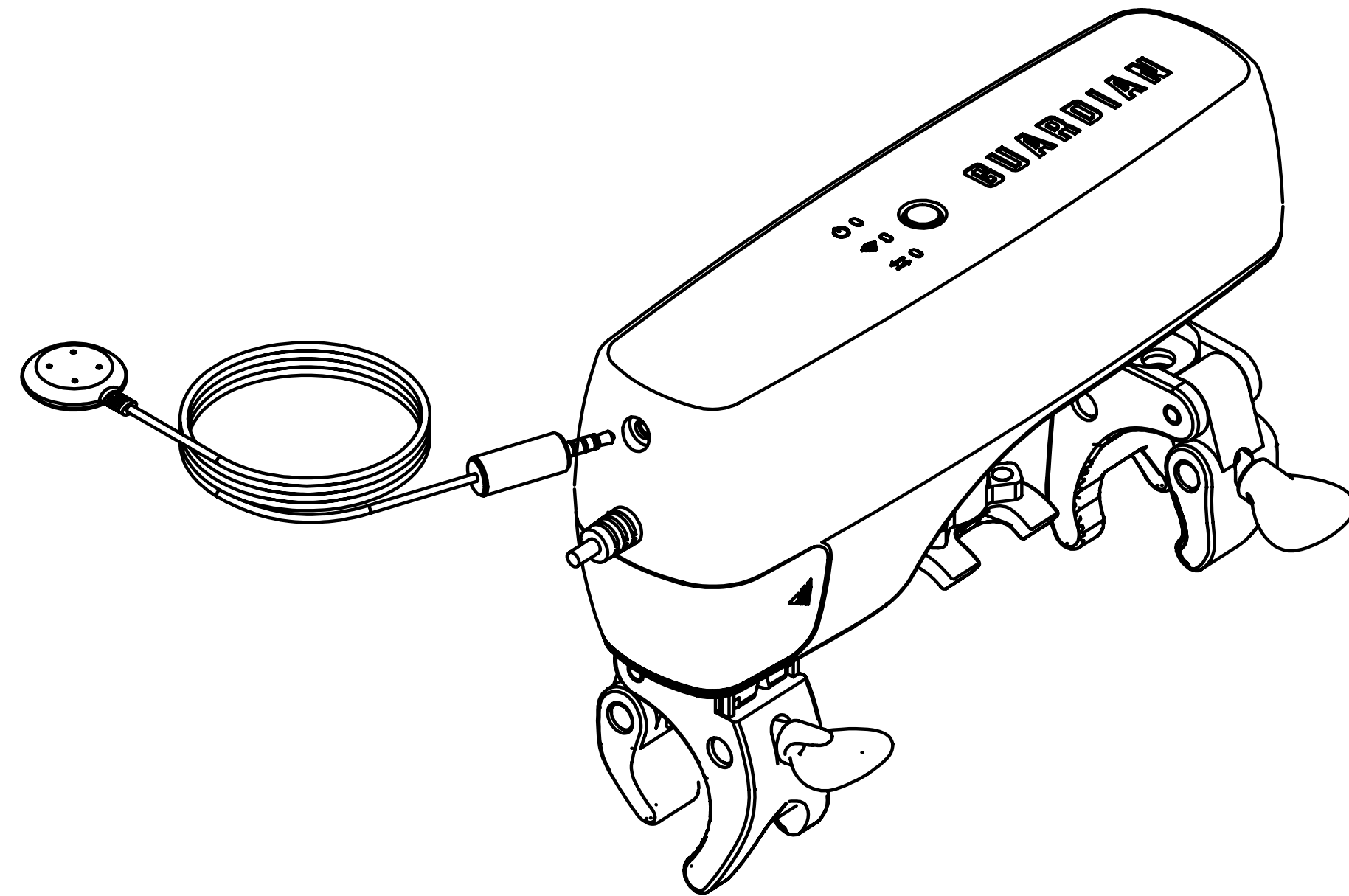
CHECK IF THE FORK IS ALIGNED WITH THE VALVE HANDLE CORRECTLY



VALVE CONTROLLER INSTALLATION

7

OPTIONAL- PLUG THE REMOTE SENSOR INTO THE VALVE CONTROLLER

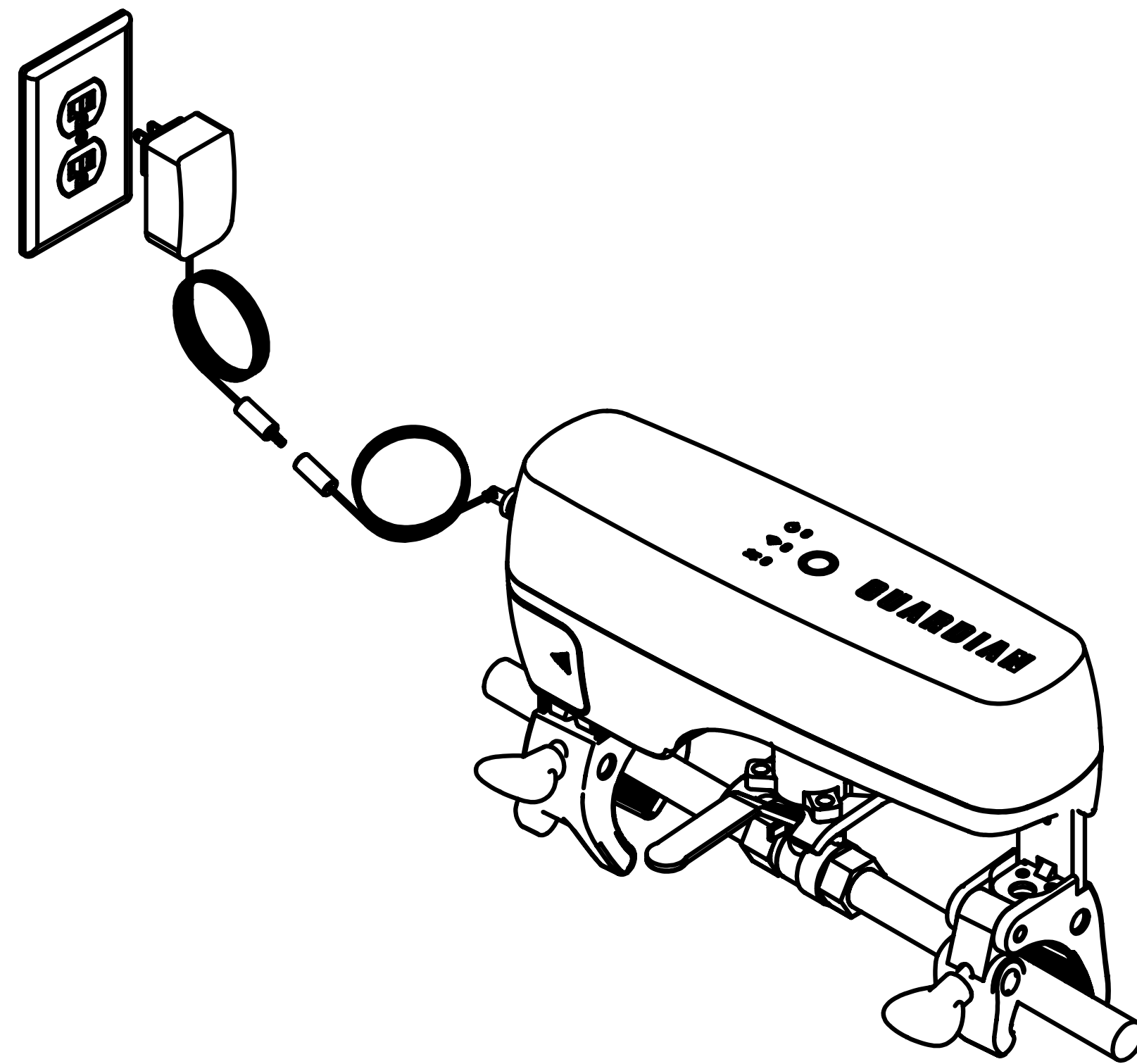


Use the Remote Sensor to monitor the area around your valve for leaks

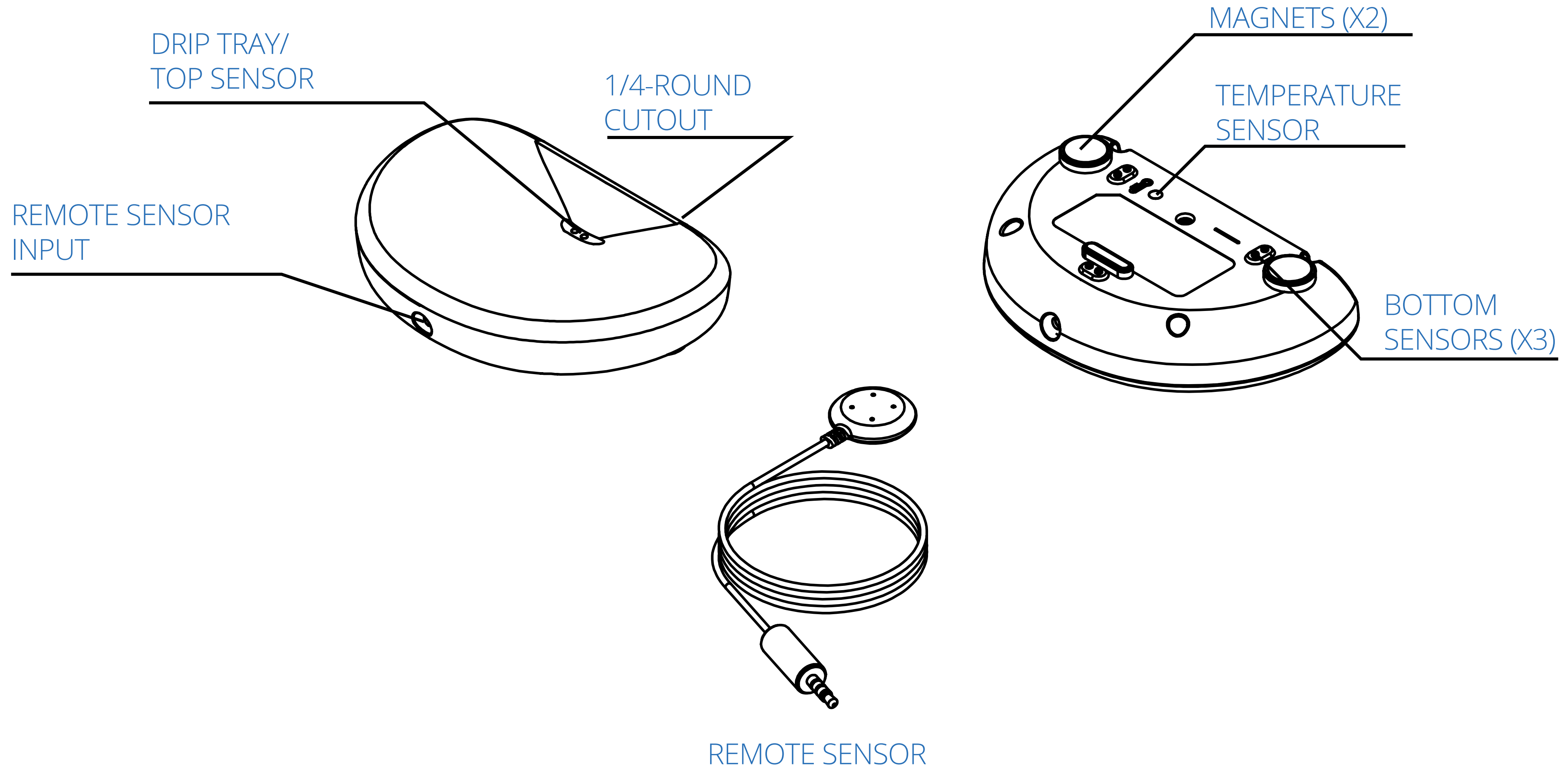
VALVE CONTROLLER INSTALLATION

8

CONNECT THE POWER SUPPLY TO THE VALVE CONTROLLER AND PLUG IT INTO AN OUTLET



LEAK DETECTOR PARTS



LEAK DETECTOR SETUP

- 1** **ACTIVATE LEAK DETECTOR BY MOISTENING TOP SENSOR**
- 2** **NAVIGATE TO "ADD NEW DEVICE" IN THE SIDE MENU**
- 3** **TAP "ADD LEAK DETECTOR"**
- 4** **SHAKE SENSOR TO PAIR**
- 5** **PLACE AND NAME LEAK DETECTOR**

LEAK DETECTOR PLACEMENT

TOILETS, WATER HEATERS, WASHING MACHINES, AND OTHER APPLIANCES WITH WATER INLETS ARE THE LEADING CAUSES OF PLUMBING-RELATED WATER DAMAGE. EACH OF THESE IN A HOME SHOULD BE MONITORED FOR LEAKS, WITH UNITS ON HIGHER FLOORS GIVEN HIGHER PRIORITY.

WHY WATER DAMAGE MATTERS

14,000 WATER DAMAGE CLAIMS A DAY

AVERAGE \$8,000 PER CLAIM

THIS IS A BILLION-DOLLAR PROBLEM ANNUALLY IN THE UNITED STATES

DAMAGE TO IRREPLACEABLE PROPERTY

MAJOR HEADACHE, CLEANUP, INSURANCE CLAIM.

WASTES THE HOMEOWNER'S TIME/MONEY.



HOW GUARDIAN STOPS WATER DAMAGE

REMOTELY CONTROL WATER MAIN VALVE THROUGH APP

LEAK DETECTORS PLACED AROUND APPLIANCES DETECT LEAKS AND AUTOMATICALLY SHUTS OFF WATER.

SHUTS OFF WATER WHEN THE LEAK DETECTORS DETECT TEMPERATURES BELOW 40 DEGREES, BEFORE PIPES FREEZE.

WEEKLY ROUTINE SELF-CHECK MONITORS THE STATUS OF YOUR VALVE TO ALERT OF ANY ISSUES WITH OPENING/CLOSING OF VALVE.

VIBRATION SENSORS WILL ALERT IF LEAK DETECTORS ARE MOVED SO TO ENSURE THEY ARE IN THE PROPER PLACE

SHUT OFF WATER AUTOMATICALLY DURING EARTHQUAKES.

WILL WORK THROUGH POWER AND CONNECTIVITY INTERRUPTIONS WITH BATTERY BACKUP.



WHAT SETS GUARDIAN APART?

DIY INSTALLATION. NO TOOLS OR PROFESSIONAL HELP NEEDED.

OPTIONAL BATTERY BACK-UP FOR CONTINUED PROTECTION IN A POWER OUTAGE

DIRECT COMMUNICATION WITH THE LEAK DETECTORS, NO HUB/CONTROLLER OR ADDITIONAL ITEMS NEEDED.

BUILT IN TEMPERATURE SENSOR.

INPUT FOR LOCAL LEAK DETECTION AROUND THE VALVE.

CALIBRATION/SELF CHECK.

FITS 1/2", 3/4", 1" PIPES



WHAT SETS THE LEAK DETECTORS APART?

1,000 FT WIRELESS RANGE.

15-YEAR BATTERY LIFE.

DUAL SIDED LEAK DETECTION POINTS. DETECTS AS LITTLE AS TWO DROPS.

REMOTE SENSOR PROBE FOR EXTENDED LEAK DETECTION RANGE.

VIBRATION SENSORS, ALERTING HOMEOWNER WHEN LEAK DETECTOR IS MOVED OUT OF PLACE AND OF EARTHQUAKES.

TEMPERATURE SENSORS TO NOTIFY OF FREEZING TEMPERATURES



LET'S PREVENT WATER DAMAGE!

THANK YOU!

JON STORINO

jstorino@elexausa.com

630-360-5366

